

# SMBJ5341BE

# SURFACE MOUNT SILICON ZENER DIODES

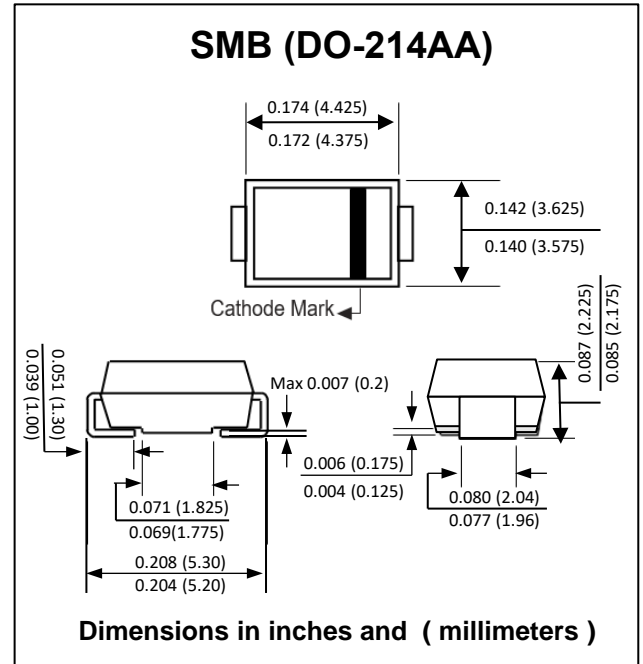
**V<sub>Z</sub> : 6.2 Volts**  
**P<sub>D</sub> : 5 Watts**

### FEATURES :

- \* Complete Voltage Range 6.2 Volts
- \* High peak reverse power dissipation
- \* High reliability
- \* Low leakage current
- \* Pb / RoHS Free

### MECHANICAL DATA

- \* Case : SMB Molded plastic
- \* Epoxy : UL94V-0 rate flame retardant
- \* Lead : Lead Formed for Surface Mount
- \* Polarity : Color band denotes cathode end
- \* Mounting position : Any
- \* Weight : 0.108 gram



### MAXIMUM RATINGS (Rating at 25 °C ambient temperature unless otherwise specified)

Rating	Symbol	Value	Unit
Power Dissipation	P <sub>D</sub>	5.0	W
Maximum Forward Voltage at I <sub>F</sub> = 1.0 A	V <sub>F</sub>	1.2	V
Thermal Resistance, Junction to Ambient (Note 1)	R <sub>θJA</sub>	90	°C/W
Thermal Resistance, Junction to Lead (Note 1)	R <sub>θJL</sub>	25	°C/W
Operating and Storage Temperature Range	T <sub>J</sub> , T <sub>STG</sub>	- 65 to + 150	°C

#### Note :

(1) When mounted on FR4 PC board (1 oz Cu) with recommended footprint.

### ELECTRICAL CHARACTERISTICS (Rating at 25 °C ambient temperature unless otherwise specified)

Zener Voltage			Minimum Zener Voltage		Maximum Zener Impedance		Maximum Reverse Leakage Current		Maximum DC Zener Current	Maximum Surge Current	Maximum Voltage Regulator	
V <sub>Z1</sub>			V <sub>Z2</sub>	I <sub>ZT2</sub>	Z <sub>ZT</sub> @ I <sub>ZT</sub> = 250mA	Z <sub>ZK</sub> @ I <sub>ZK</sub> = 1 mA	I <sub>R</sub> @ V <sub>R</sub>		I <sub>ZM</sub>	I <sub>ZSM</sub>	ΔV <sub>Z</sub>	
Min	Nom	Max	(mA)	(V)	(mA)	(Ω)	(Ω)	(μA)	(V)	(mA)	(A)	
5.89	6.20	6.51	250	5.6	1.0	1.0	200	1.0	3.0	765	12.4	0.10